

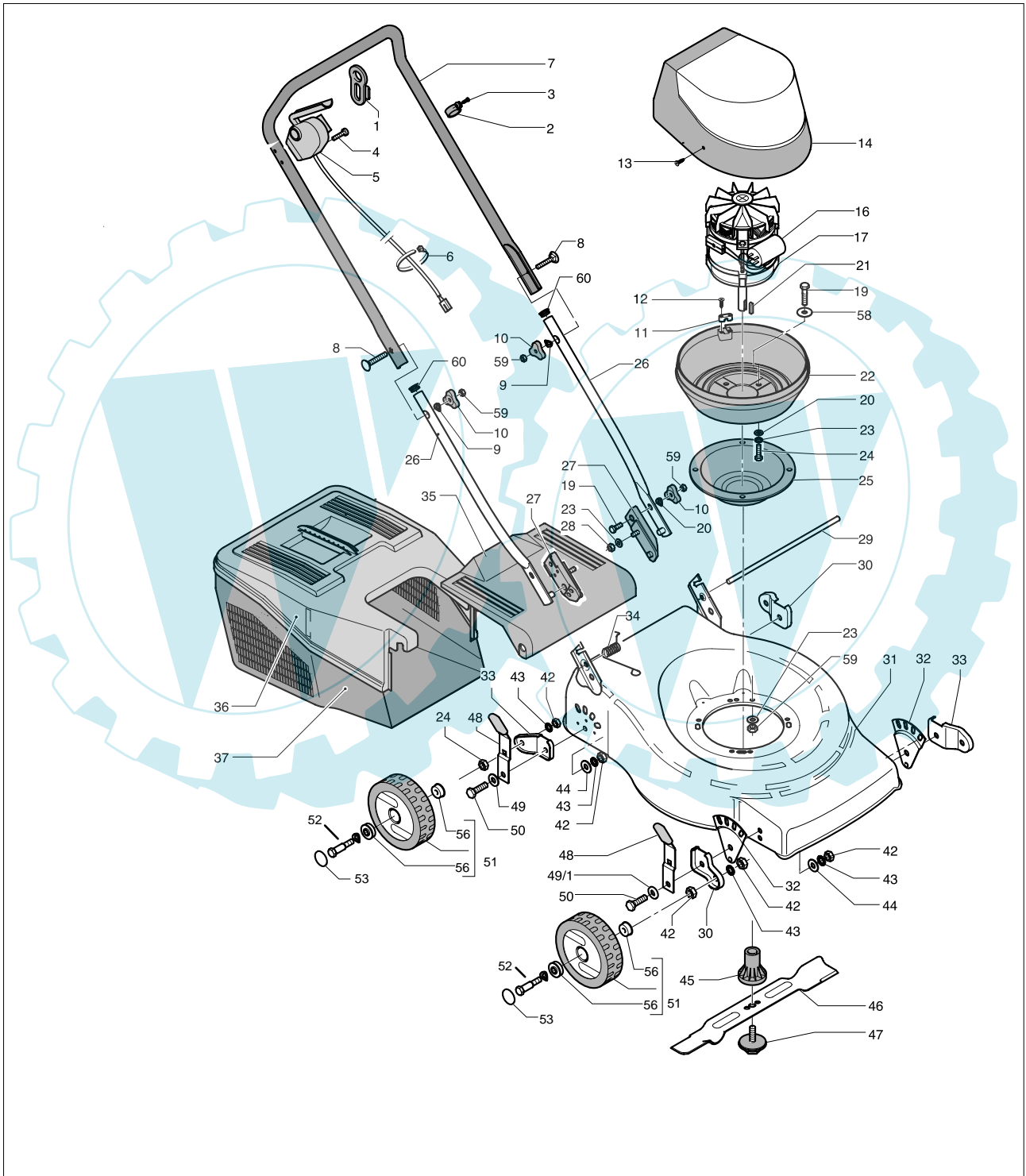
brand	<b>YARDPRO</b>
-------	----------------

date	APR/03	SHEET 1/3
------	--------	-----------

Model


Product number

<b>9538764-31</b>



brand	<b>YARDPRO</b>
-------	----------------

date	APR/03	SHEET 2/3
------	--------	-----------

--

Pos.	PN ELX	PN MEP	DESCRIZIONE	DESCRIPTION	DESCRIPTION	Q.ty	NOTE
1	531207051	10393103	gancio	cable hook	crochet	1	
2	531207063	10395703	anello di fermo	lock ring	bague d'arret	1	D.23
3	531208844	20734900	vite	screw	vis	1	TCTC 4,3x16 FIX ZB
4	531207675	10734500	vite	screw	vis	2	TCTC 4x25
5	531207081	10398300	interruttore	switch	interrupteur	1	9,5 A
6	531205581	10135600	fascetta	clamp	colier	1	160X4,5
7	531205126	10121233	manico superiore	upper handle	guidon superieur	1	
8	531207089	10402401	vite	screw	vis	2	TTSQM8x50TFZB
9	531207090	10402402	rondella ondulata	washer	rondelle	2	8,5
10	531204923	10114303	pomolo	knob	poignée	4	
11	531207043	10389103	fissa cavo	cable lock	arret du cable	1	D.8/5
12	531207065	10396100	vite	screw	vis	2	TCTC 3,9x22 FIX ZB
13	531208216	20135720	vite	screw	vis	2	TCTC2FD.5x16 AC
14	531205570	10135513	coprimotore	motor housing	carter moteur	1	
16	531207070	10396400	condensatore	condenser	condensateur	1	16MF
17	531207074	10397300	motore	motor	moteur	1	1600W CF
19	531207071	10396600	vite	screw	vis	5	TE M8x30 UNI 5739-8,8-ZB
20	531204922	10114200	rondella piana	washer	rondelle	6	8x16x1,5 ZB
21	531207041	10384800	chiavetta	key	clavette	1	4x4x22
22	531207069	10396303	base coprimotore	motor housing bottom	fond du carter moteur	1	
23	531207981	20106200	rondella dent.	washer	rondelle	9	D.8E DIN 6798
24	531208586	20385300	vite	screw	vis	4	TE M8x25 UNI 5739-8,8-ZB
25	531207039	10381003	carter di protezione	protection guard	carter de protection	1	
26	531206071	10150133	manico inferiore	handle lowere	guidon inferieur	2	
27	531207045	10391303	supporto manico	support	support	2	
28	531206618	10240300	dado	nut	écrou	2	M8 H5 UNI 5589-6S ZB
29	531205060	10120530	tirante	tie rod	entretoise	1	
30	531204914	10107301	supporto ruota	wheel bearing	support de roues	2	SX
31	531210978	1017266v	scocca	deck	chassis	1	
32	531210608	10146890	supporto leva	lever support	support levier	2	
33	531204915	10107302	supporto ruota	wheel bearing	support de roues	2	DX
34	531205999	10146330	molla paratoria	spring	ressort	1	

brand	<b>YARDPRO</b>
-------	----------------

date	APR/03	SHEET 3/3
------	--------	-----------

--

Pos.	PN ELX	PN MEP	DESCRIZIONE	DESCRIPTION	DESCRIPTION	Q.ty	NOTE
35	531204629	1014621v	paratoia	deflector	deflecteur	1	
36	531208296	20146113	coperchio cestello	grass catcher upper	bac superieur	1	
37	531208313	20146593	fondo cestello	grass catcher bottom	bac inferieur	1	
42	531207978	20101700	dado	nut	écrou	12	M10 H8 UNI 5588-6S ZB
43	531208974	30102100	rondella dent.	washer	rondelle	8	10E
44	531207989	20113000	rondella piana	washer	rondelle	4	10x30x2,5
45	531211644	10173153	supporto lama	bearing blade	support lame	1	
46	531211652	10173170	lama	blade	lame	1	
47	531211594	10152913	vite lama	screw	vis	1	
48	531204913	10107203	leva alzaruote	lever	levier	4	
49	531206020	10146530	rosetta	washer	rondelle	2	UNI 8840 B12 (13/24/1)
49/1	531206643	10272500	rosetta	washer	rondelle	2	UNI8840-B12 (13/24/1,2)
50	531204912	10107100	vite	screw	vis	4	
51	531204371	09120084	ruota	wheel	roue	4	
52	531205042	10120090	vite	screw	vis	4	
53	531204936	10114804	tappo ruota	plug	bouchon	4	
55	531206644	10275100	rosetta	washer	rondelle	4	UNI 8840-B12(13/24/0,8)
56	531205214	10121900	<b>cuscinetto</b>	ball.bearing	guidon	1	
58	531204904	10066300	rondella piana	washer	rondelle	3	8x24x2
59	531207982	20106300	dado	nut	écrou	7	M8 H8 UNI 5587-6S ZB
60	531208950	20833303	tappo	plug	bouchon	2	